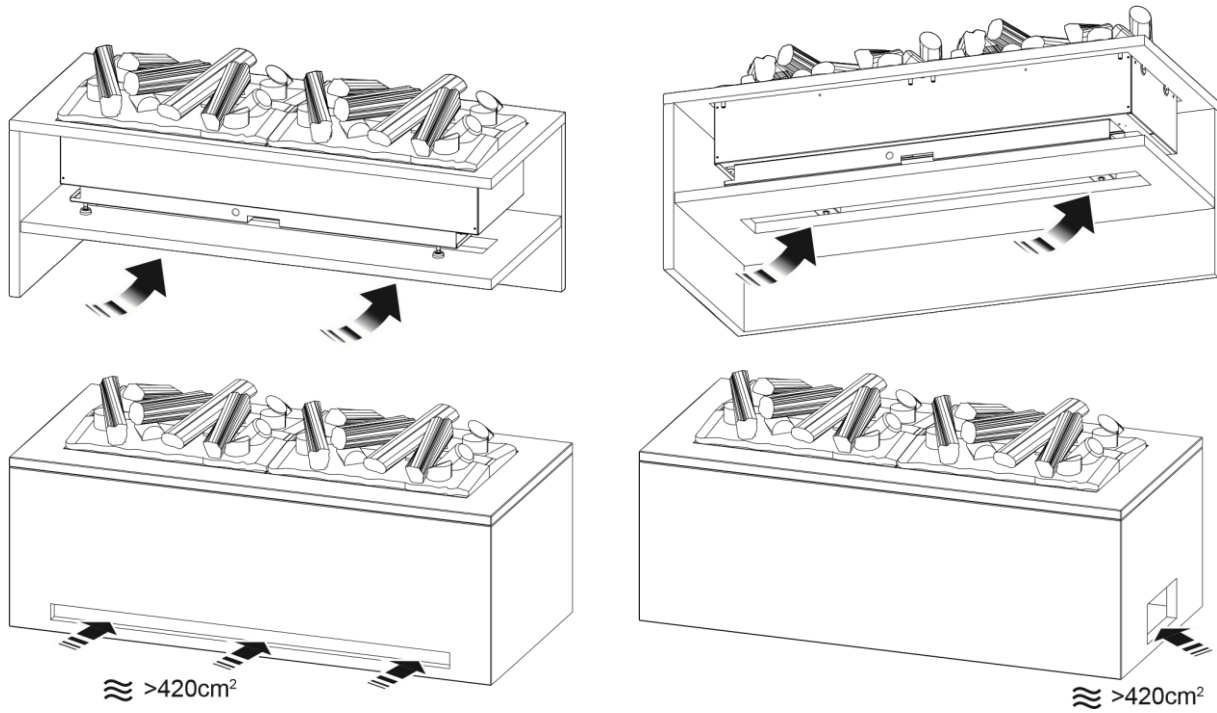
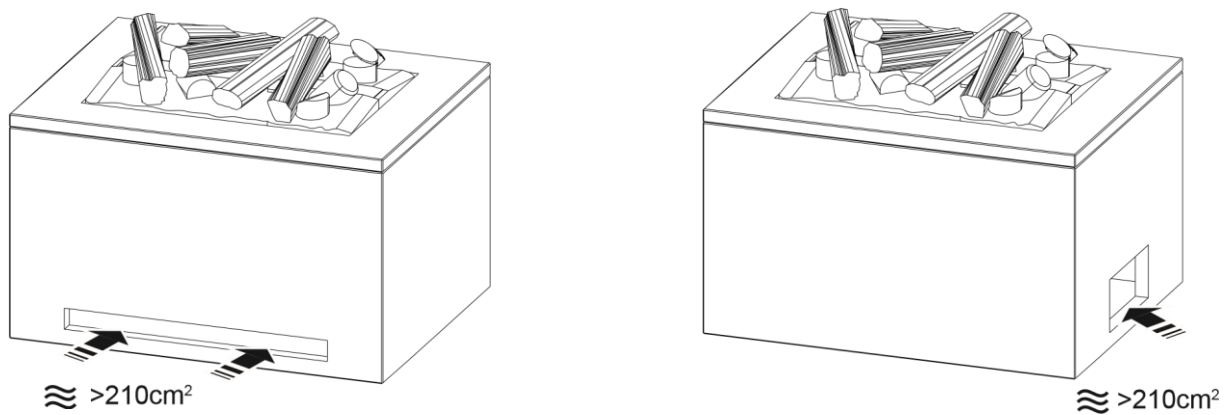


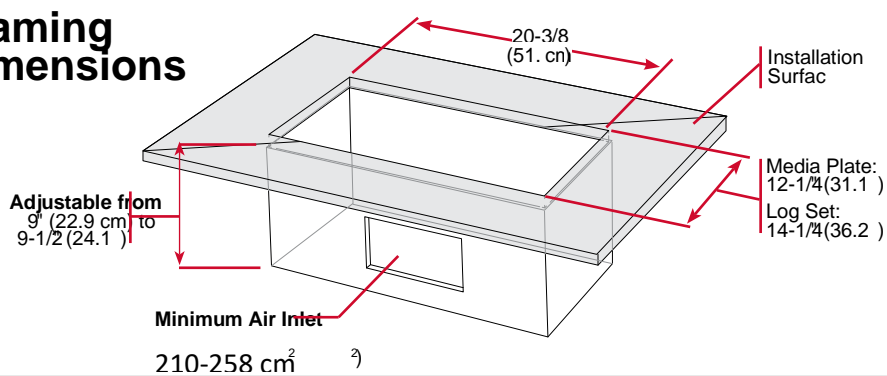
Cassette 1000



Cassette 500 a 725

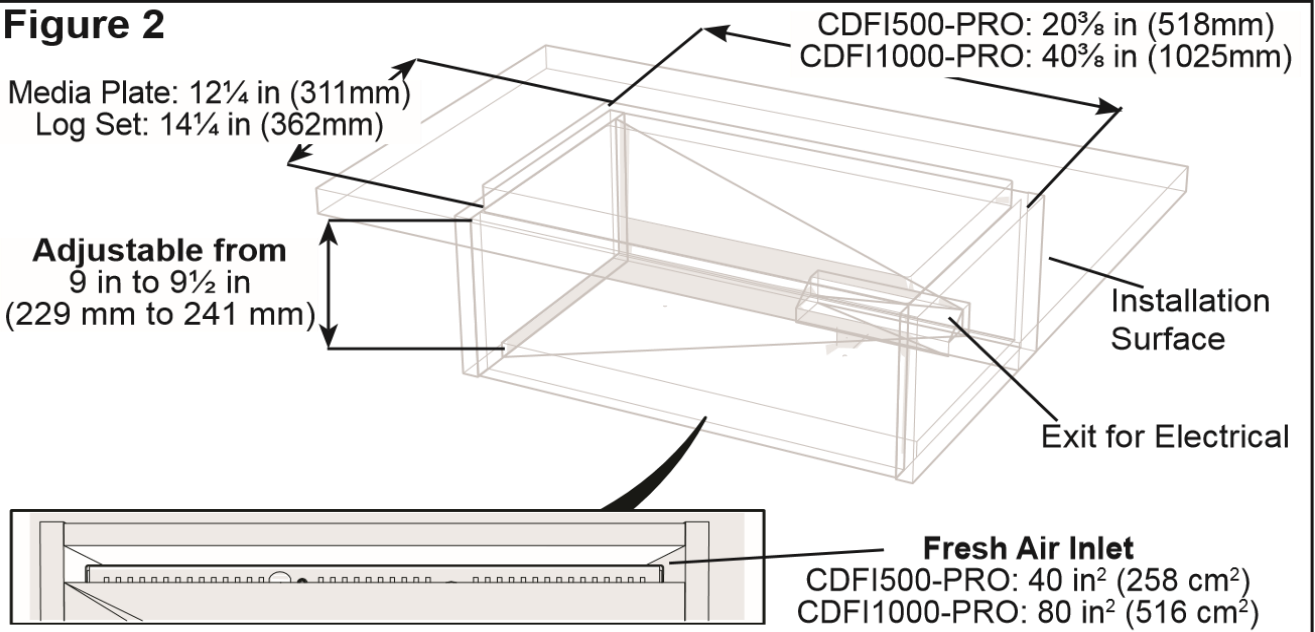


Framing Dimensions



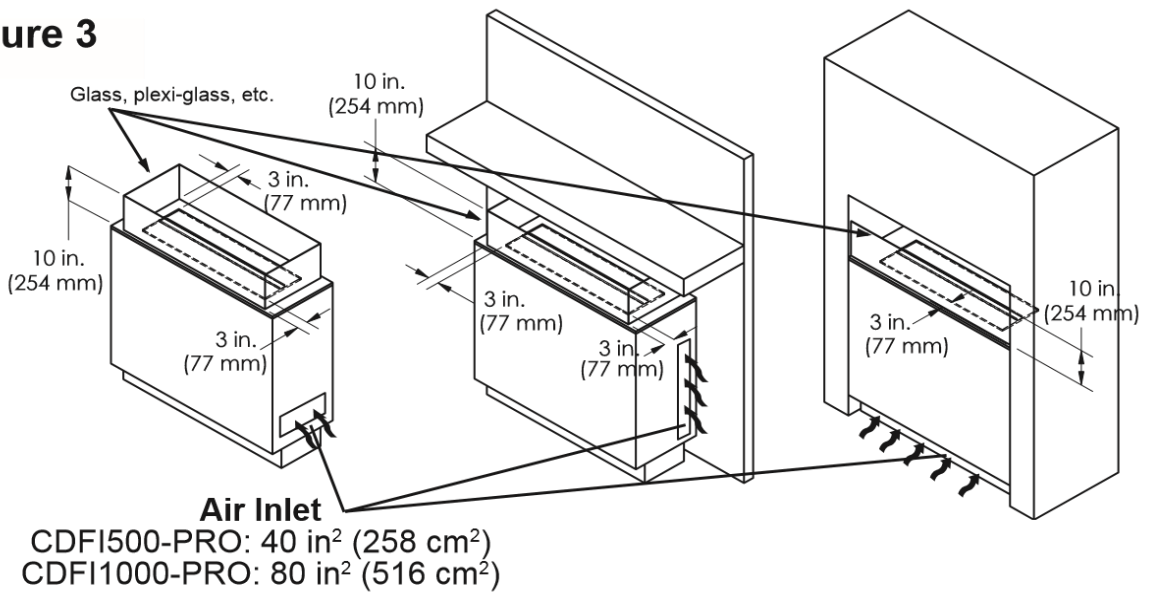
Caution: When determining a location for the Opti-myst cassette, ensure that the unit will not be susceptible to drafts, vents, ceiling fans and other air currents. Similar to a candle, large movements of air will affect the unit's ability to create and maintain the flame effect.

Figure 2

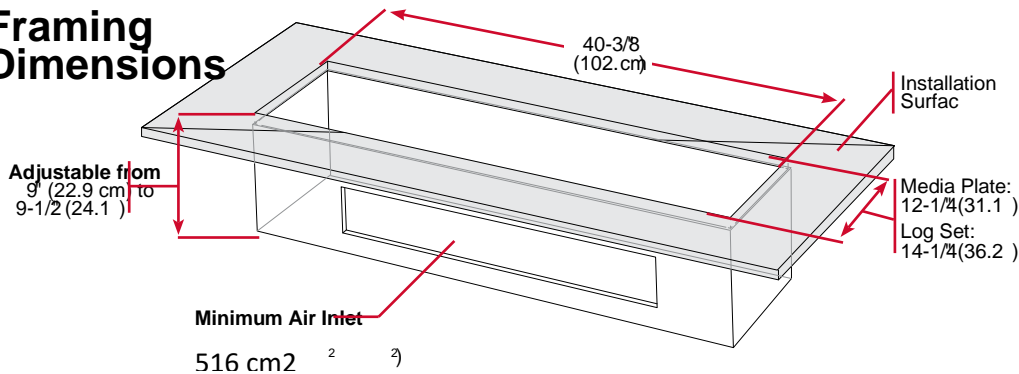


Installation

Figure 3



Framing Dimensions



Caution: When determining a location for the Opti-myst cassette, ensure that the unit will not be susceptible to drafts, vents, ceiling fans and other air currents. Similar to a candle, large movements of air will affect the unit's ability to create and maintain the flame effect.